

K 600 S - K 1000 S

Ground tilting

High performance and price-conscious



K 600 S: With a lifting capacity of up to 600 kg

K 1000 S: With a lifting capacity of up to 1000 kg

Meyma ground tilting lifters considerably improve the production flow in bakeries. The mixture production takes place fast, safely and effectively. Physically demanding labor is reduced to a minimum. Continuous production is achieved.

Meyma ground tilting lifters are manufactured in our own plant located in the city of Cloppenburg and we guarantee tested safety based on our many years of experience in tilting lifter construction.



Heben
Kippen
Teilen
Zuführen
Aufbereiten

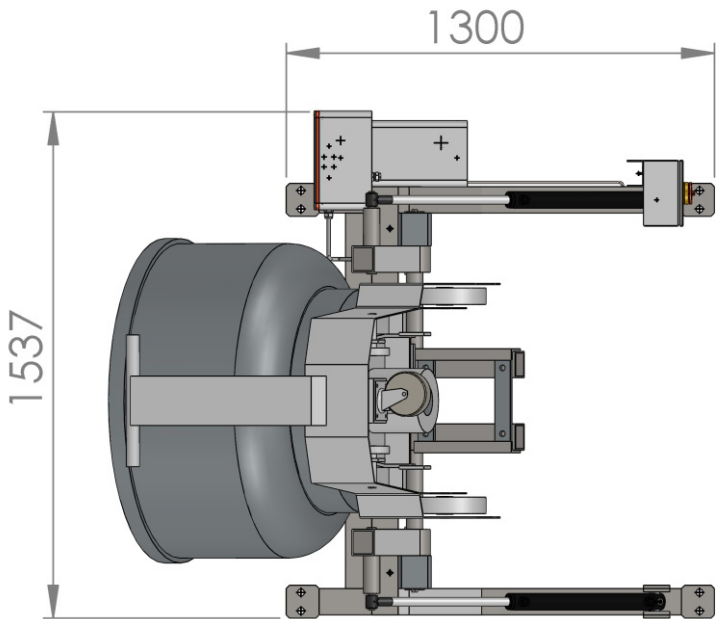
**made
in
Germany**

Meyma GmbH
Alter Emsteker Weg 45
49661 Cloppenburg
Deutschland

Tel +49 4471 91070
Fax +49 4471 910710
E-Mail info@meyma.de
Web www.meyma.de

K 600S - K 1000S

Ground tilting lifter



Your advantages:

- Good value and customer oriented through direct selling
- Low staff costs
- Increased employee satisfaction through the omission of physically demanding labor
- Customized solutions for every usage
- Suitable for all bowl carriages
- Noticeable improvement of production flow
- Easy handling
- Independently tested security
- HCCCP suitable

To be able to offer you a tailor made solution, we are more than happy to provide you with detailed information regarding our tilting lifters.



Heben
Kippen
Teilen
Zuführen
Aufbereiten

 **made
in
Germany**

Meyma GmbH
Alter Emsteker Weg 45
49661 Cloppenburg
Deutschland

Tel +49 4471 91070
Fax +49 4471 910710
E-Mail info@meyma.de
Web www.meyma.de