

# T 600 S

## Table tilting lifter

---

### High performance and price-conscious

With a lifting capacity of up to 600 kg



Meyma table tilting lifters considerably improve the production flow in bakeries. The mixture production takes place fast, safely and effectively. Physically demanding labor is reduced to a minimum. Continuous production is achieved.

Meyma table tilting lifters are manufactured in our own plant located in the city of Cloppenburg and we guarantee tested safety based on our many years of experience in tilting lifter construction.

**The reasonable value to money relation allows for quick amortization.**



Heben  
Kippen  
Teilen  
Zuführen  
Aufbereiten

 **made  
in  
Germany**

*Meyma GmbH  
Alter Emsteker Weg 45  
49661 Cloppenburg  
Deutschland*

*Tel +49 4471 91070  
Fax +49 4471 910710  
E-Mail [info@meyma.de](mailto:info@meyma.de)  
Web [www.meyma.de](http://www.meyma.de)*

# T600S

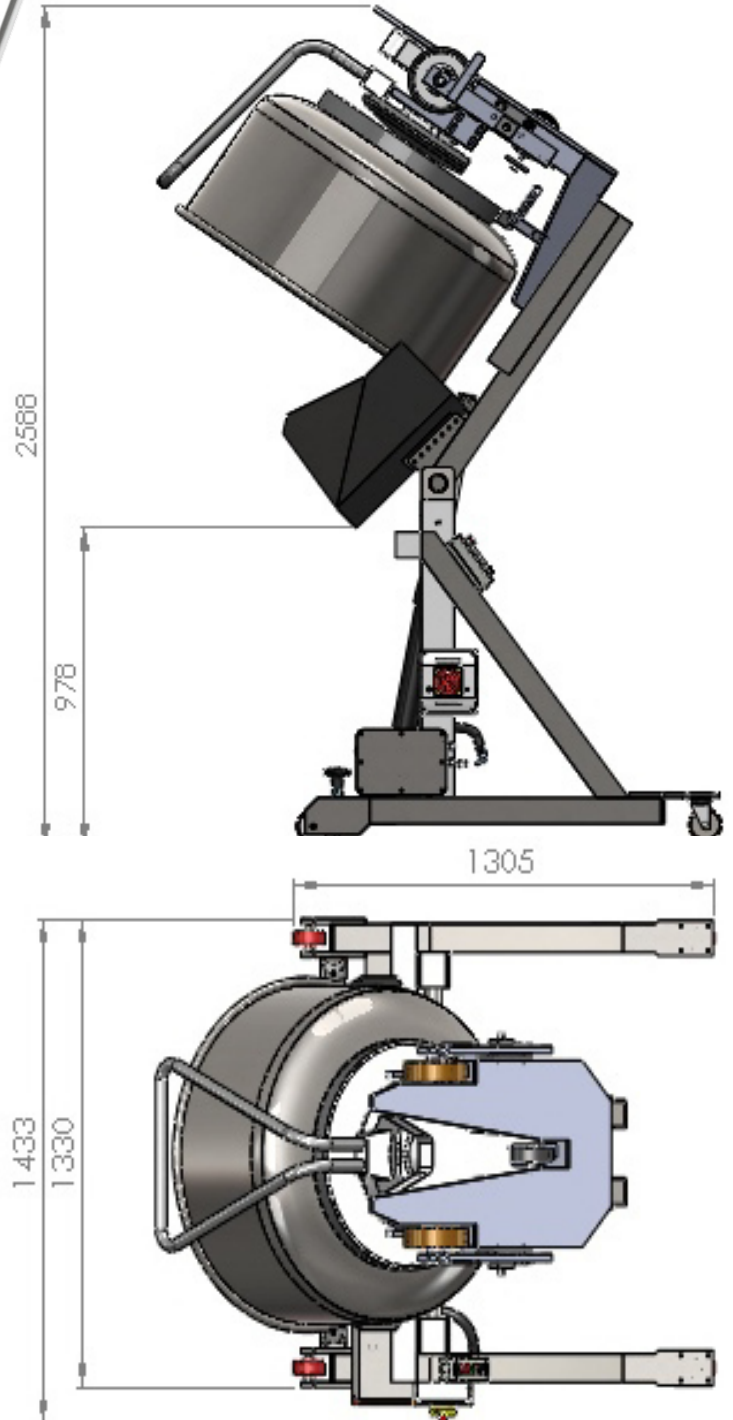
## Table tilting lifter



### Your advantages:

- Good value and customer oriented through direct selling
- Low staff costs
- Increased employee satisfaction through the omission of physically demanding labor
- Customized solutions for every usage
- Suitable for all bowl carriages
- Noticeable improvement of production flow
- Easy handling
- Independently tested security
- HACCP suitable

To be able to offer you a tailor made solution, we are more than happy to provide you with detailed information regarding our tilting lifters.



Heben  
Kippen  
Teilen  
Zuführen  
Aufbereiten

**made  
in  
Germany**

Meyma GmbH  
Alter Emsteker Weg 45  
49661 Cloppenburg  
Deutschland

Tel +49 4471 91070  
Fax +49 4471 910710  
E-Mail [info@meyma.de](mailto:info@meyma.de)  
Web [www.meyma.de](http://www.meyma.de)