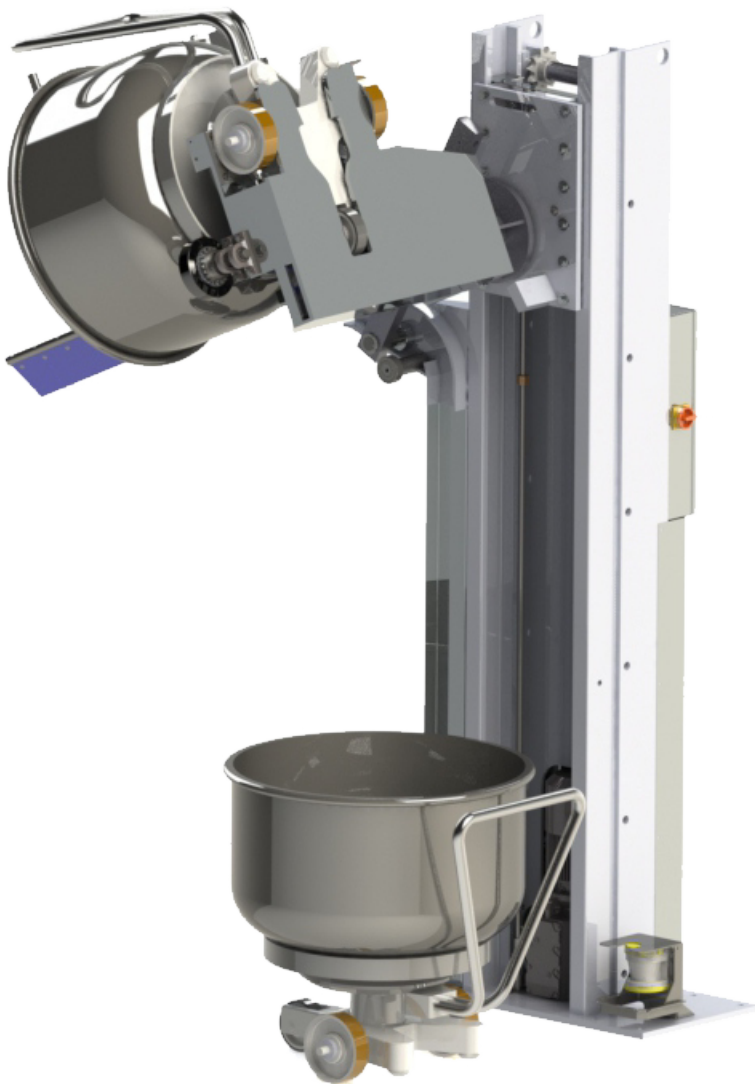


HK 602 Bowl lifter & Tilting

High performance and price-conscious

With a lifting capacity of up to 1200 kg



Meyma tilting lifters considerably improve the production flow in bakeries. The dough production takes place fast, safely and effectively. Physically demanding labor is reduced to a minimum. Continuous production is achieved.

Meyma tilting lifters are manufactured in our own plant located in the city of Cloppenburg and we guarantee tested safety based on our year long experience in tilting lifter construction.

The reasonable value for money relation allows for quick amortization.



Heben
Kippen
Teilen
Zuführen
Aufbereiten

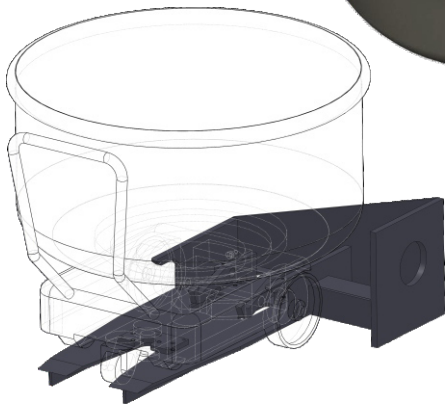
**made
in
Germany**

Meyma GmbH
Alter Emsteker Weg 45
49661 Cloppenburg
Deutschland

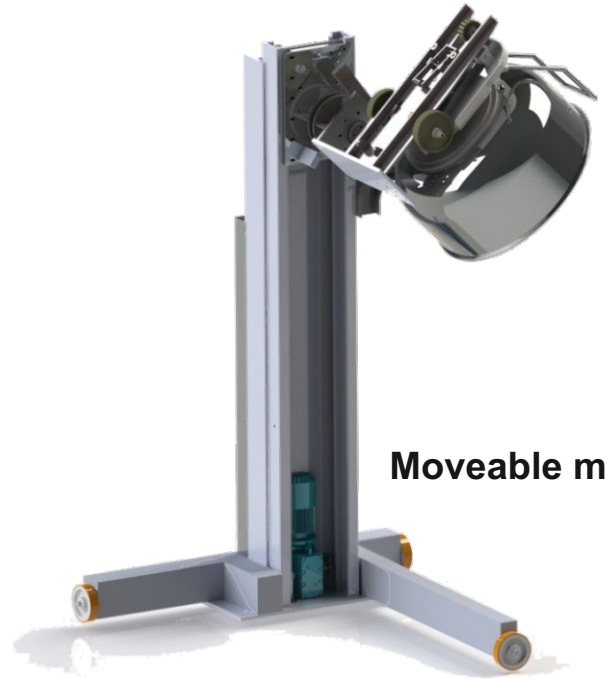
Tel +49 4471 91070
Fax +49 4471 910710
E-Mail info@meyma.de
Web www.meyma.de

HK 602 Bowl lifter & Tilting

Forged scraping device
without ledge or bridge



Special fixtures are developed
via 3d design technologies

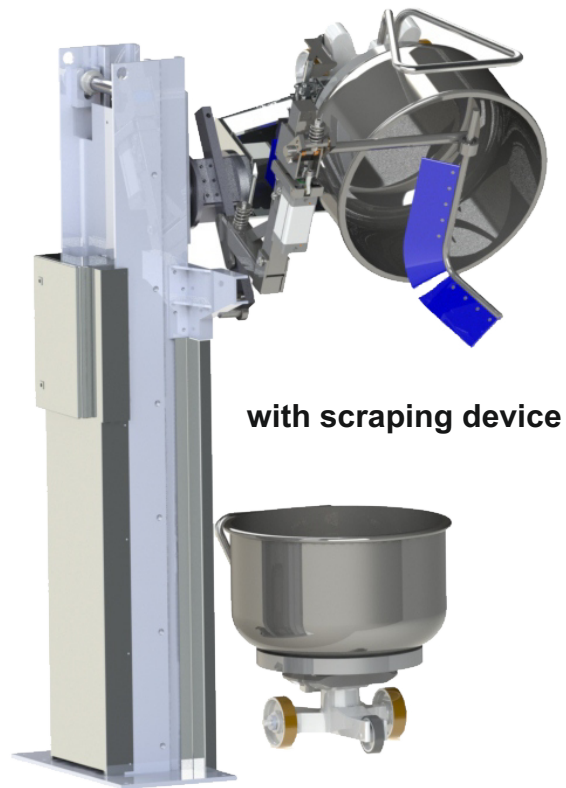


Moveable model

our advantages:

- good value and customer orientated due to direct selling
- low staff costs
- increased employee satisfaction through the omission of physically demanding labor
- customized solutions for every usage
- suitable for all bowl carriages
- noticeable improvement of production flow
- easy handling
- independently tested safety
- HCCCP suitable

To be able to offer you a tailor made solution,
we are more than happy to provide you with
detailed information regarding our tilting lifters.



with scraping device



Heben
Kippen
Teilen
Zuführen
Aufbereiten

**made
in
Germany**

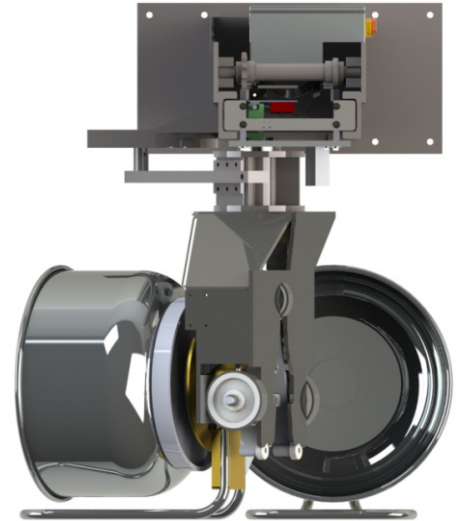
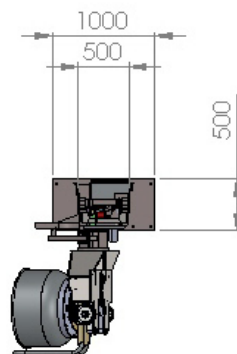
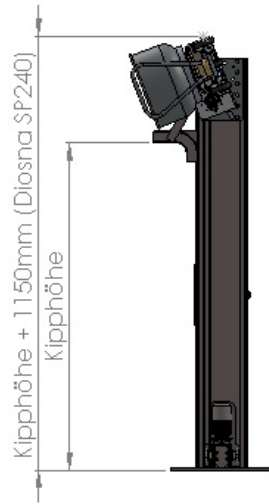
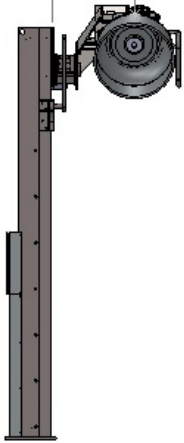
Meyma GmbH
Alter Emsteker Weg 45
49661 Cloppenburg
Deutschland

Tel +49 4471 91070
Fax +49 4471 910710
E-Mail info@meyma.de
Web www.meyma.de

HK 602

Bowl lifter & Tilting

800mm
(Diosna SP 240)



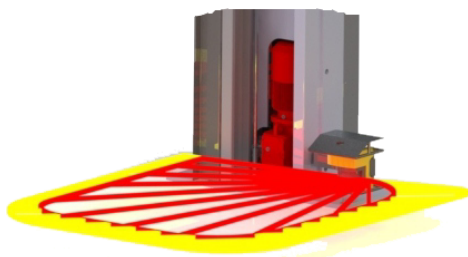
With retracted top view
and tilted boilers



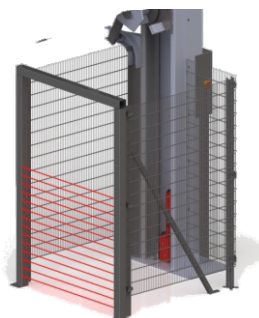
Pipe - Guard



Protective fence
DIN 1672/2-2009-07



Hedge laser scanner



Protective fence DIN 1672/2-2009-07
with photocell



hedge deadman
with access protection (wall)



Heben
Kippen
Teilen
Zuführen
Aufbereiten

**made
in
Germany**

Meyma GmbH
Alter Emsteker Weg 45
49661 Cloppenburg
Deutschland

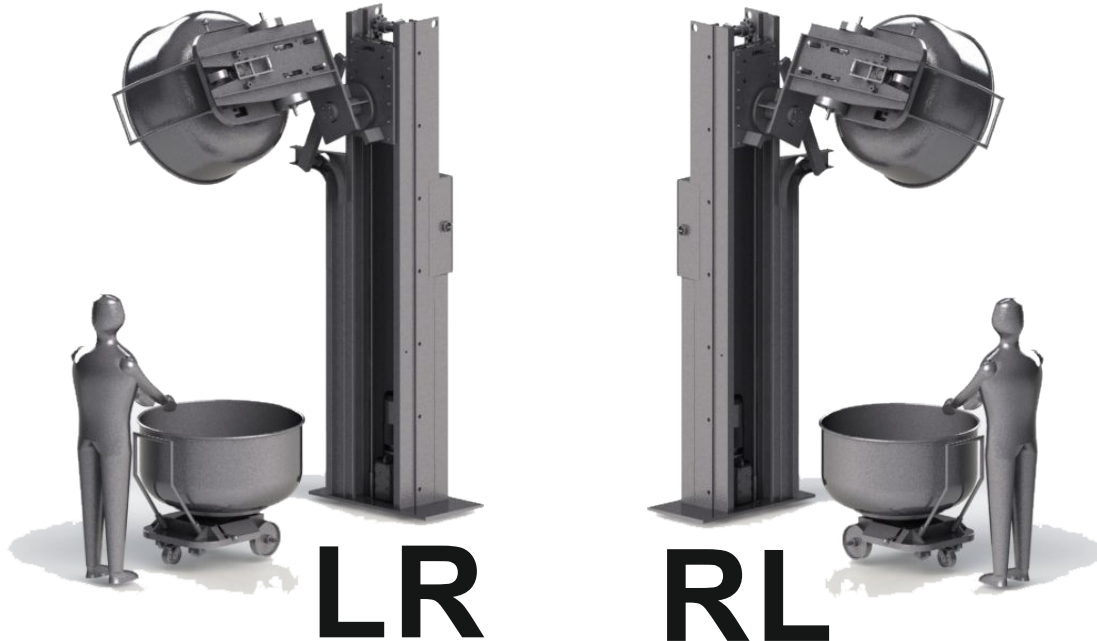
Tel +49 4471 91070
Fax +49 4471 910710
E-Mail info@meyma.de
Web www.meyma.de

HK 602

Bowl lifter & Tilting

Installation options

side tilter



front tilter



Heben
Kippen
Teilen
Zuführen
Aufbereiten

**made
in
Germany**

Meyma GmbH
Alter Emsteker Weg 45
49661 Cloppenburg
Deutschland

Tel +49 4471 91070
Fax +49 4471 910710
E-Mail info@meyma.de
Web www.meyma.de